

EX-10 SERIES

Ultra-slim Photoelectric Sensor **Amplifier Built-in**



Amplifier built-in
extraordinarily small
and slim size



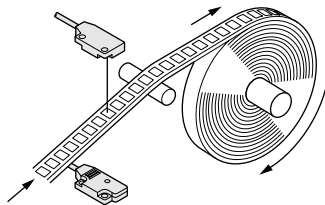
Smallest body, just 3.5 mm 0.138 in thick

It can be mounted in a very small space as its size is just $W10 \times H14.5 \times D3.5$ mm $W0.394 \times H0.571 \times D0.138$ in (thru-beam, front sensing type).



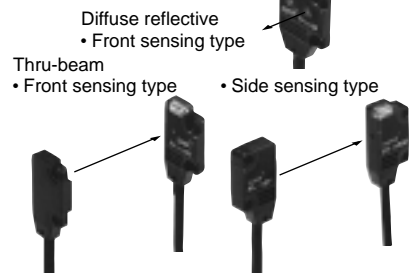
High-speed response time: 0.5 ms

The sensor is suitable for detecting small and high-speed traveling objects.



Flexible mounting

The diffuse reflective type sensor is front sensing and is so thin that it gives an impression of being just pasted on the mounting base. The thru-beam type is available as front sensing type, as well as, side sensing type, allowing flexible mounting.



Bright 2-color indicator

A convenient 2-color indicator has been incorporated in the miniature body.



2-color indicator
(Red: Operation indicator)
(Green: Stability indicator)

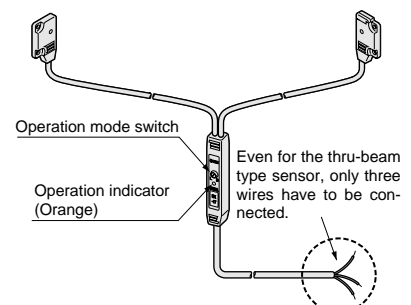
Waterproof

The sensor can be hosed down because of its IP67 construction and the non-corrosive stainless steel mounting bracket.

Note: However, take care that if it is exposed to water splashes during operation, it may detect a water drop itself.

Operation mode switch

Thru-beam type sensor incorporated with an operation mode switch on the bifurcation is also available. It helps you to test the operability before start-up.



Operation mode switch
Operation indicator (Orange)

Even for the thru-beam type sensor, only three wires have to be connected.

Ten times durable

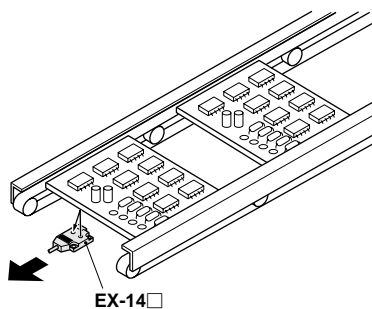
Flexible cable on EX-10-R is 10 times as durable as conventional model. It is most suitable for moving parts, such as robot arm, etc.

Red beam makes beam alignment easy

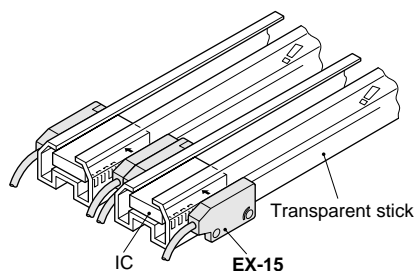
The red LED beam projected from the emitter helps you to align the sensor heads.

APPLICATIONS

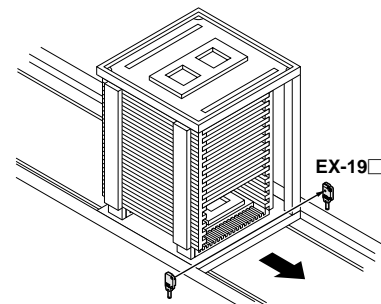
Verifying position of PCBs



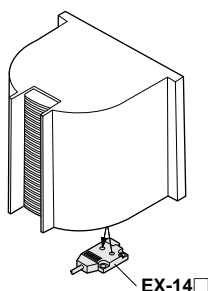
Detecting ICs



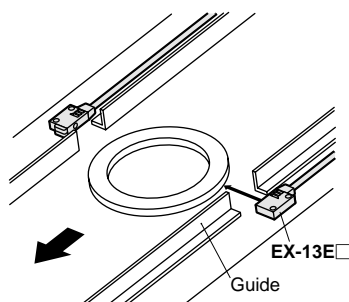
Detecting PCB rack



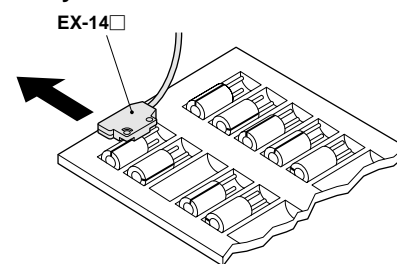
Detecting wafer cassette



Detecting thin ring



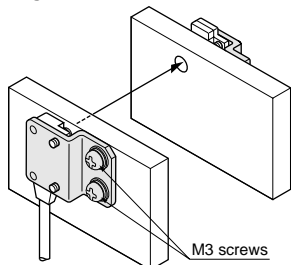
Checking for absence of capacitor in tray



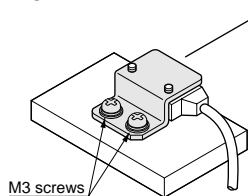
Mountable with M3 screws

Non-corrosive stainless steel type mounting bracket is also available.

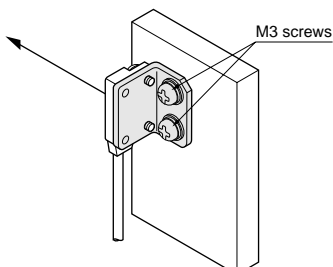
- MS-EX10-1 [Cold rolled carbon steel (SPCC)] and MS-EX10-11 [Stainless steel (SUS304)] (mounting bracket for the front sensing type)



- MS-EX10-2 [Cold rolled carbon steel (SPCC)] and MS-EX10-12 [Stainless steel (SUS304)] (mounting bracket for the side sensing type)

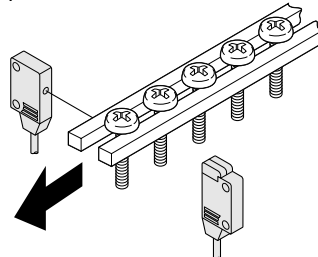


- MS-EX10-3 [Cold rolled carbon steel (SPCC)] and MS-EX10-13 [Stainless steel (SUS304)] (L-shaped mounting bracket)



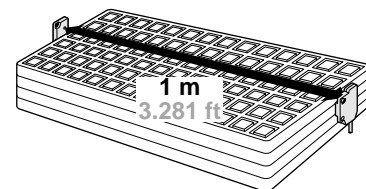
Minimum sensing object: $\phi 1 \text{ mm } \phi 0.039 \text{ in}$

EX-11, EX-11E, EX-15 and EX-15E are incorporated with $\phi 1 \text{ mm } \phi 0.039 \text{ in}$ slit masks so that $\phi 1 \text{ mm } \phi 0.039 \text{ in}$, or more, object can be detected. Hence, they are suitable for precise positioning or small parts detection.



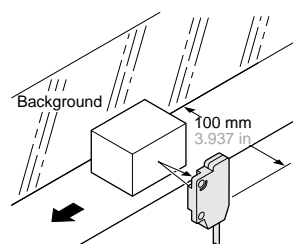
Long sensing range: 1 m 3.281 ft (EX-19)

A sensing range of 1 m 3.281 ft has been realized with a slim size of just 3.5 mm 0.138 in. It can be used to detect even wide IC trays.

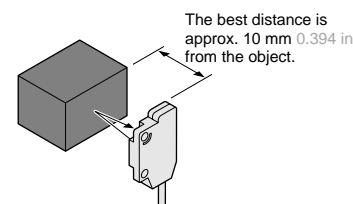


Background suppression (EX-14)

- **Not affected by background**
Even a specular background separated by 100 mm 3.937 in, or more, is not detected. (However, the background should be directly opposite.)



- **Black object reliably detected**
It can reliably detect dark color objects since it is convergent reflective type.



EX-10

ORDER GUIDE

Amplifier Built-in

Type	Appearance	Sensing range	Model No.	Output operation	Output			
NPN output	Thru-beam <small>With operation mode switch on the bifurcation</small>		150 mm 5.906 in	EX-11A	Light-ON	NPN open-collector transistor		
				EX-11B	Dark-ON			
			500 mm 19.685 in	EX-13A	Light-ON			
				EX-13B	Dark-ON			
			1 m 3.281 ft	EX-19A	Light-ON			
				EX-19B	Dark-ON			
	Side sensing <small>With operation mode switch on the bifurcation</small>		150 mm 5.906 in	EX-15	Switchable either Light-ON or Dark-ON			
			500 mm 19.685 in	EX-17				
			150 mm 5.906 in	EX-11EA	Light-ON			
				EX-11EB	Dark-ON			
			500 mm 19.685 in	EX-13EA	Light-ON			
				EX-13EB	Dark-ON			
Convergent reflective (Diffused beam type)	Front sensing 	2 to 25 mm 0.079 to 0.984 in (Note) (Convergent point: 10 mm 0.394 in)	EX-14A	Light-ON				
			EX-14B	Dark-ON				
PNP output	Thru-beam		150 mm 5.906 in	EX-11A-PN	Light-ON	PNP open-collector transistor		
				EX-11B-PN	Dark-ON			
			500 mm 19.685 in	EX-13A-PN	Light-ON			
				EX-13B-PN	Dark-ON			
			1 m 3.281 in	EX-19A-PN	Light-ON			
				EX-19B-PN	Dark-ON			
	Side sensing		150 mm 5.906 in	EX-11EA-PN	Light-ON			
				EX-11EB-PN	Dark-ON			
			500 mm 19.685 in	EX-13EA-PN	Light-ON			
				EX-13EB-PN	Dark-ON			
			Convergent reflective (Diffused beam type)	Front sensing 	2 to 25 mm 0.079 to 0.984 in (Note) (Convergent point: 10 mm 0.394 in)		EX-14A-PN	Light-ON
							EX-14B-PN	Dark-ON

NOTE: Mounting bracket is not supplied with the sensor. Please select from the range of optional sensor mounting brackets (six types).

Note: The sensor does not detect even a specular background if it is separated by 100 mm 3.937 in or more. (However, the background should be directly opposite.)

ORDER GUIDE

Flexible cable type and 5 m 16.404 ft cable length type

Flexible cable type and 5 m 16.404 ft cable length type (standard: 2 m 6.562 ft) are also available.

• Table of model Nos.

Type		Standard	Flexible cable (2 m 6.562 ft) type	5 m 16.404 ft cable length type	
Thru-beam	Front sensing	EX-11A	EX-11A-R	EX-11A-C5	
		EX-11B	EX-11B-R	EX-11B-C5	
		EX-13A	EX-13A-R	EX-13A-C5	
		EX-13B	EX-13B-R	EX-13B-C5	
		EX-19A	EX-19A-R	EX-19A-C5	
		EX-19B	EX-19B-R	EX-19B-C5	
	With operation mode switch on the bifurcation	EX-15	—————	EX-15-C5	
		EX-17	—————	EX-17-C5	
	Side sensing	EX-11EA	EX-11EA-R	EX-11EA-C5	
		EX-11EB	EX-11EB-R	EX-11EB-C5	
		EX-13EA	EX-13EA-R	EX-13EA-C5	
		EX-13EB	EX-13EB-R	EX-13EB-C5	
		With operation mode switch on the bifurcation	EX-15E	—————	EX-15E-C5
			EX-17E	—————	EX-17E-C5
Convergent reflective (Diffused beam type)	Front sensing	EX-14A	EX-14A-R	EX-14A-C5	
		EX-14B	EX-14B-R	EX-14B-C5	

EX-10

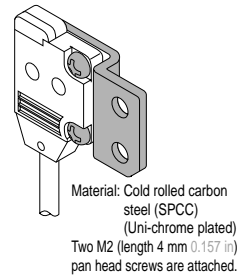
OPTIONS

Designation	Model No.	Description
Sensor mounting bracket	MS-EX10-1	Mounting bracket for the front sensing type sensor [Cold rolled carbon steel (SPCC)] (The thru-beam type sensor needs two brackets.)
	MS-EX10-2	Mounting bracket for the side sensing type sensor [Cold rolled carbon steel (SPCC)] (The thru-beam type sensor needs two brackets.)
	MS-EX10-3	L-shaped mounting bracket sensor [Cold rolled carbon steel (SPCC)] (The thru-beam type sensor needs two brackets.)
	MS-EX10-11	Mounting bracket for the front sensing type sensor [Stainless steel (SUS304)] (The thru-beam type sensor needs two brackets.)
	MS-EX10-12	Mounting bracket for the side sensing type sensor [Stainless steel (SUS304)] (The thru-beam type sensor needs two brackets.)
	MS-EX10-13	L-shaped mounting bracket [Stainless steel (SUS304)] (The thru-beam type sensor needs two brackets.)
Slit mask	OS-EX10-12 (Slit size $\phi 1.2$ mm $\phi 0.047$ in)	Slit on one side <ul style="list-style-type: none"> · Sensing range: 600 mm 23.622 in [EX-19□] 250 mm 9.843 in [EX-13□, EX-17] · Min. sensing object: $\phi 2$ mm $\phi 0.079$ in
		Slit on both sides <ul style="list-style-type: none"> · Sensing range: 400 mm 15.748 in [EX-19□] 200 mm 7.874 in [EX-13□, EX-17] · Min. sensing object: $\phi 1.2$ mm $\phi 0.047$ in
	OS-EX10-15 (Slit size $\phi 1.5$ mm $\phi 0.059$ in)	Slit on one side <ul style="list-style-type: none"> · Sensing range: 800 mm 31.496 in [EX-19□] 350 mm 13.780 in [EX-13□] · Min. sensing object: $\phi 2$ mm $\phi 0.079$ in
		Slit on both sides <ul style="list-style-type: none"> · Sensing range: 500 mm 19.685 in [EX-19□] 300 mm 11.811 in [EX-13□] · Min. sensing object: $\phi 1.5$ mm $\phi 0.059$ in
	OS-EX10E-12 (Slit size $\phi 1.2$ mm $\phi 0.047$ in)	Slit on one side <ul style="list-style-type: none"> · Sensing range: 250 mm 9.843 in [EX-13E□, EX-17E] · Min. sensing object: $\phi 2$ mm $\phi 0.079$ in
		Slit on both sides <ul style="list-style-type: none"> · Sensing range: 200 mm 7.874 in [EX-13E□, EX-17E] · Min. sensing object: $\phi 1.2$ mm $\phi 0.047$ in
Sensor checker (Note)	CHX-SC2	It is useful for beam alignment of thru-beam type sensors. The optimum receiver position is given by indicators, as well as an audio signal.
Mounting screw	MS-M2	Mounting screws with washers (50 pcs. lot). It can mount securely as it is spring washer attached.

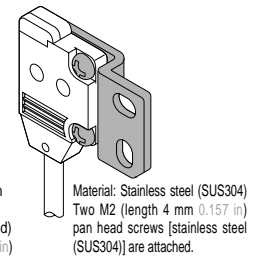
Note: Refer to p.414~ for details of the sensor checker **CHX-SC2**.

Sensor mounting bracket

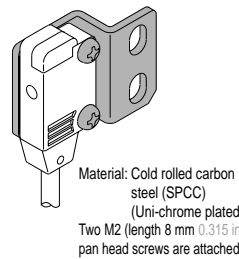
• MS-EX10-1



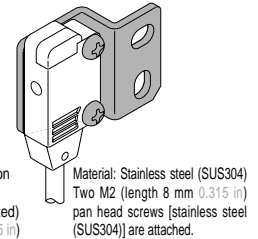
• MS-EX10-11



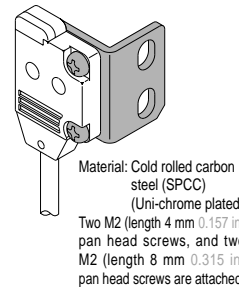
• MS-EX10-2



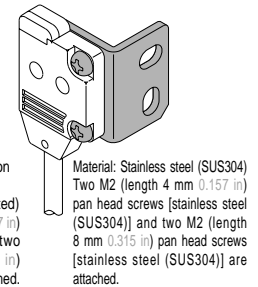
• MS-EX10-12



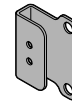
• MS-EX10-3



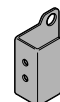
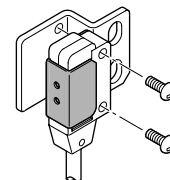
• MS-EX10-13



Slit mask

• OS-EX10-12
• OS-EX10-15

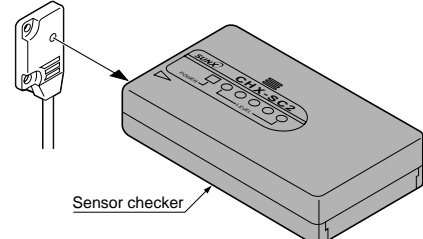
• OS-EX10E-12

Example of mounting
(OS-EX10E-12)

Tighten along with the sensor mounting bracket.

Sensor checker

• CHX-SC2



SPECIFICATIONS

Item	Model No. (Note 1)	Type	Thru-beam						Convergent reflective (Diffused beam type)	Thru-beam • with operation mode switch on bifurcation				
			Front sensing	Side sensing	Front sensing	Side sensing	Front sensing	Front sensing	Front sensing	Side sensing	Front sensing	Side sensing		
			Light-ON EX-11A(-PN)	EX-11EA(-PN)	EX-13A(-PN)	EX-13EA(-PN)	EX-19A(-PN)	EX-14A(-PN)	EX-15 (Note 2)	EX-15E (Note 2)	EX-17 (Note 2)	EX-17E (Note 2)		
Dark-ON	EX-11B(-PN)	EX-11EB(-PN)	EX-13B(-PN)	EX-13EB(-PN)	EX-19B(-PN)	EX-14B(-PN)								
Sensing range			150 mm 5.906 in		500 mm 19.685 in		1 m 3.281 ft	2 to 25 mm 0.079 to 0.984 in (Note 3) (Conv. point: 10 mm 0.394 in)		150 mm 5.906 in		500 mm 19.685 in		
Min. sensing object			φ1 mm φ0.039 in opaque object (Setting distance between emitter and receiver: 150 mm 5.906 in)		φ2 mm φ0.079 in opaque object (Setting distance between emitter and receiver: 500 mm 19.685 in)		φ2 mm φ0.079 in opaque object (Setting distance between emitter and receiver: 1 m 3.281 ft)	φ0.1 mm φ0.004 in copper wire (Setting distance: 10 mm 0.394 in)		φ1 mm φ0.039 in opaque object (Setting distance between emitter and receiver: 150 mm 5.906 in)		φ2 mm φ0.079 in opaque object (Setting distance between emitter and receiver: 500 mm 19.685 in)		
Hysteresis			—————						15 % or less of operation distance		—————			
Repeatability (perpendicular to sensing axis)			0.05 mm 0.002 in or less						0.1 mm 0.004 in or less		0.05 mm 0.002 in or less			
Supply voltage			12 to 24 V DC ± 10 %						Ripple P-P 10 % or less					
Current consumption			Emitter: 10 mA or less, Receiver: 15 mA or less				20 mA or less		30 mA or less					
Output			<p><NPN output type> NPN open-collector transistor</p> <ul style="list-style-type: none"> • Maximum sink current: 50 mA • Applied voltage: 30 V DC or less (between output and 0 V) • Residual voltage: 1 V or less (at 50 mA sink current) 0.4 V or less (at 16 mA sink current) <p><PNP output type> PNP open-collector transistor</p> <ul style="list-style-type: none"> • Maximum source current: 50 mA • Applied voltage: 30 V DC or less (between output and + V) • Residual voltage: 1 V or less (at 50 mA source current) 0.4 V or less (at 16 mA source current) 							<p>NPN open-collector transistor</p> <ul style="list-style-type: none"> • Maximum sink current: 100 mA • Applied voltage: 30 V DC or less (between output and 0 V) • Residual voltage: 1.5 V or less (at 100 mA sink current) 0.4 V or less (at 16 mA sink current) 				
Utilization category			DC-12 or DC-13						—————					
Short-circuit protection			Incorporated						—————					
Response time			0.5 ms or less						—————					
Operation indicator			Red LED (lights up when the output is ON)						Orange LED (lights up when the output is ON), located on the bifurcation					
Incident beam indicator			—————						Red LED (lights up under light received condition), located on the receiver					
Stability indicator			Green LED (lights up under stable light received condition or stable dark condition)						Green LED (lights up under stable light received condition or stable dark condition), located on the receiver					
Environmental resistance	Pollution degree		3 (Industrial environment)						—————					
	Protection		IP67 (IEC)						—————					
	Ambient temperature		- 25 to + 55 °C - 13 to + 131 °F (No dew condensation or icing allowed), Storage: - 30 to + 70 °C - 22 to + 158 °F						—————					
	Ambient humidity		35 to 85 % RH, Storage: 35 to 85 % RH						—————					
	Ambient illuminance		Sunlight: 10,000 lx at the light-receiving face, Incandescent light: 3,000 lx at the light-receiving face						—————					
	EMC		EN 50081-2, EN 50082-2, EN 60947-5-2						—————					
	Voltage withstandability		1,000 V AC for one min. between all supply terminals connected together and enclosure						—————					
	Insulation resistance		20 MΩ, or more, with 250 V DC megger between all supply terminals connected together and enclosure						—————					
	Vibration resistance		10 to 500 Hz frequency, 3 mm 0.118 in amplitude in X, Y and Z directions for two hours each						—————					
Shock resistance		500 m/s ² acceleration (50 G approx.) in X, Y and Z directions for three times each						—————						
Emitting element			Red LED (modulated)						—————					
Material			Enclosure: Polyethylene terephthalate Lens: Polyallylate						Enclosure: Polyethylene terephthalate Lens: Polyallylate, Bifurcation: Polyallylate					
Cable (Note 4)			0.1 mm ² 3-core (thru-beam type emitter: 2-core) cabtyre cable, 2 m 6.562 ft long						0.2 mm ² 3-core cabtyre cable, 2 m 6.562 ft long (beyond bifurcation; from emitter / receiver to bifurcation: 0.5 m 1.640 ft long)					
Cable extension			Extension up to total 50 m 164.042 ft is possible with 0.3 mm ² , or more, cable (thru-beam type: emitter and receiver).						Extension up to total 100 m 328.084 ft is possible with 0.3 mm ² , or more, cable.					
Weight			Emitter: 20 g approx., Receiver: 20 g approx.				20 g approx.		55 g approx.					
Accessories			Mounting screws: 1 set						Mounting screws: 1 set		Mounting screws: 1 set, Adjusting screwdriver: 1 pc.			

Notes: 1) Model Nos. having the suffix '-PN' are PNP output type.

2) Either Light-ON or Dark-ON can be selected by the operation mode switch (located on the bifurcation).

3) The sensing range of convergent reflective type sensor is specified for white non-glossy paper (50 × 50 mm 1.969 × 1.969 in) as the object.

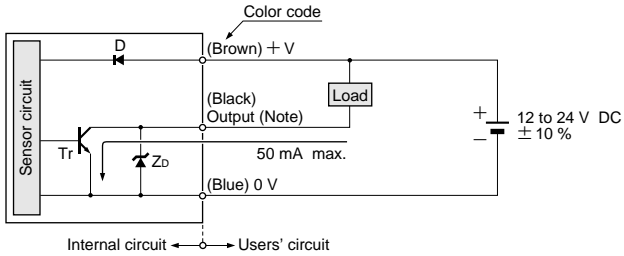
4) The flexible cable type (model Nos. having suffix '-R') has a 0.1 mm² 3-core (thru-beam type emitter : 2-core) flexible cabtyre cable, 2 m 6.562 ft long.

EX-10

I/O CIRCUIT AND WIRING DIAGRAMS

EX-11 □ EX-13 □
EX-19 □ EX-14 □ NPN output type

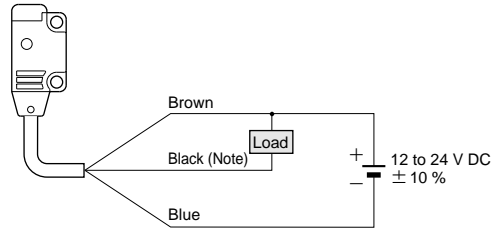
I/O circuit diagram



Note: The emitter of the thru-beam type sensor does not incorporate the output.

Symbols ... D : Reverse supply polarity protection diode
Zd: Surge absorption zener diode
Tr : NPN output transistor

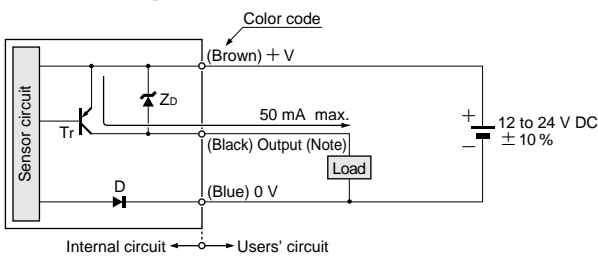
Wiring diagram



Note: The emitter of the thru-beam type sensor does not incorporate the black wire.

EX-11 □-PN EX-13 □-PN
EX-19 □-PN EX-14 □-PN PNP output type

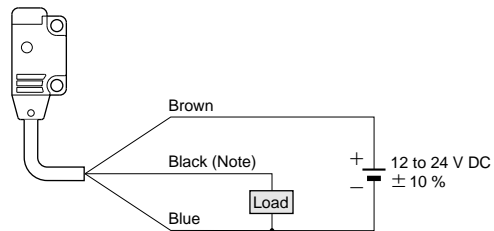
I/O circuit diagram



Note: The emitter of the thru-beam type sensor does not incorporate the output.

Symbols ... D : Reverse supply polarity protection diode
Zd: Surge absorption zener diode
Tr : PNP output transistor

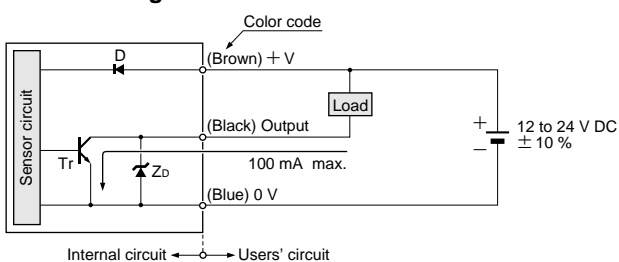
Wiring diagram



Note: The emitter of the thru-beam type sensor does not incorporate the black wire.

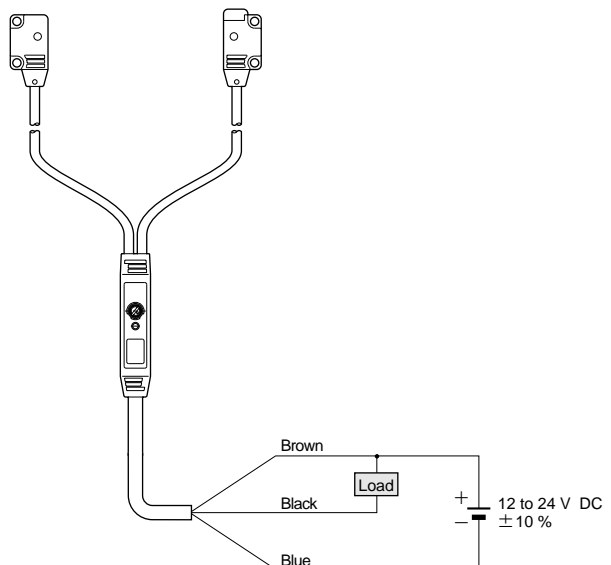
EX-15 EX-15E
EX-17 EX-17E NPN output type

I/O circuit diagram



Symbols ... D : Reverse supply polarity protection diode
Zd: Surge absorption zener diode
Tr : NPN output transistor

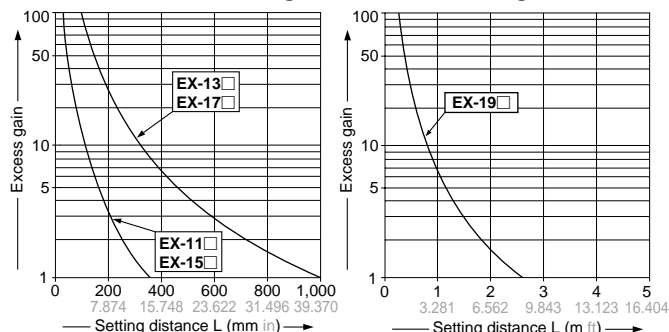
Wiring diagram



SENSING CHARACTERISTICS (TYPICAL)

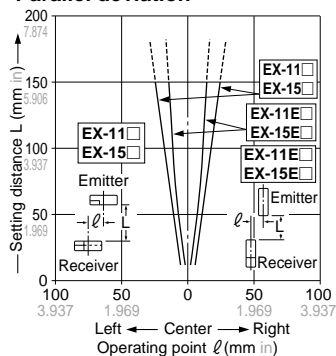
All models Thru-beam type

Correlation between setting distance and excess gain

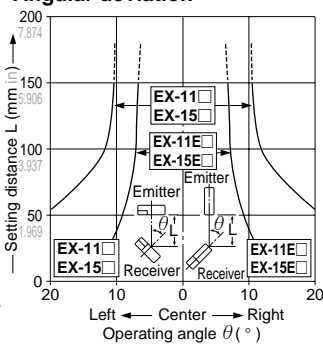


EX-11 □ EX-11E □ EX-15 □ EX-15E □ Thru-beam type

Parallel deviation

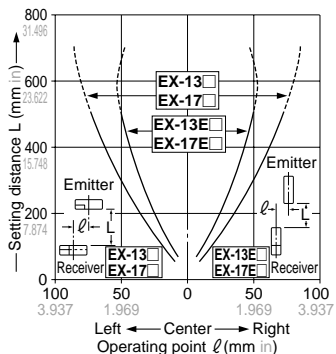


Angular deviation

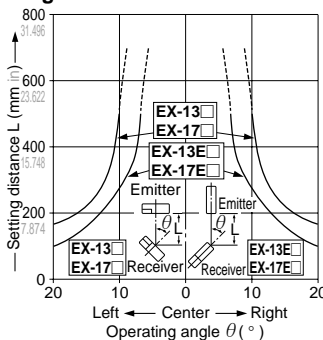


EX-13 □ EX-13E □ EX-17 □ EX-17E □ Thru-beam type

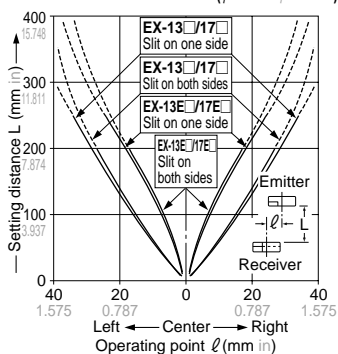
Parallel deviation



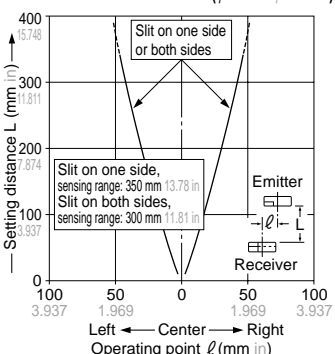
Angular deviation



Parallel deviation with slit masks ($\phi 1.2$ mm $\phi 0.047$ in)

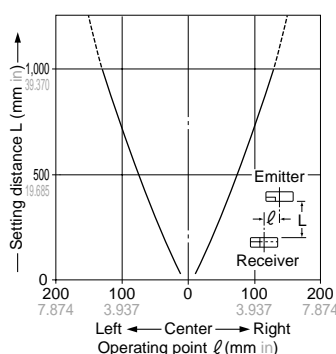


Parallel deviation with slit masks ($\phi 1.5$ mm $\phi 0.059$ in)

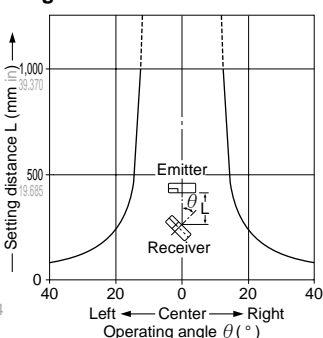


EX-19 □ Thru-beam type

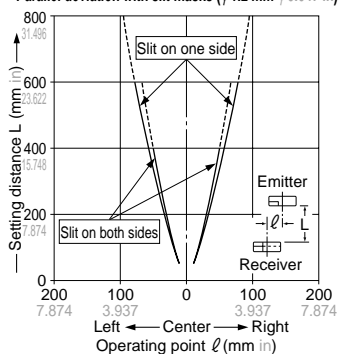
Parallel deviation



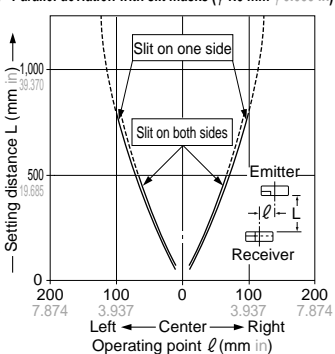
Angular deviation



Parallel deviation with slit masks ($\phi 1.2$ mm $\phi 0.047$ in)



Parallel deviation with slit masks ($\phi 1.5$ mm $\phi 0.059$ in)



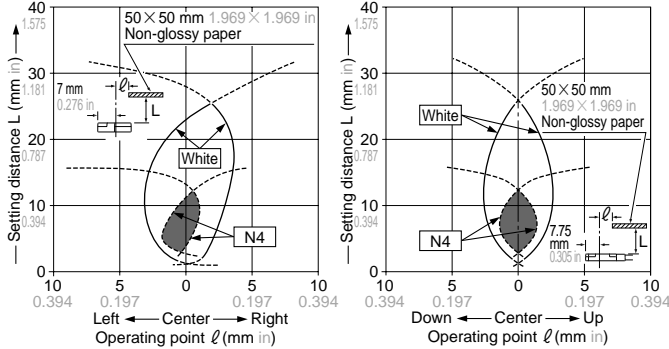
EX-10

SENSING CHARACTERISTICS (TYPICAL)

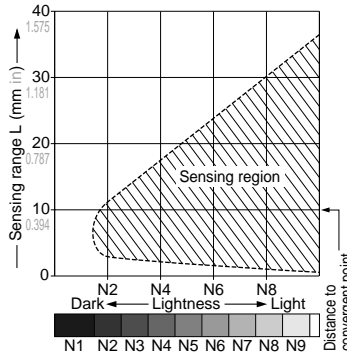
EX-14 Convergent reflective type

Sensing fields

- Horizontal (left and right) direction
- Vertical (up and down) direction



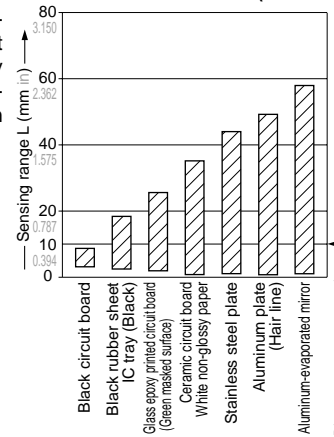
Correlation between lightness and sensing range



The sensing region is represented by oblique lines in the left figure. However, the sensitivity should be set with enough margin because of slight variation in products.

(Lightness shown on the left may differ slightly from the actual object condition.)

Correlation between material (50 × 50 mm 1.969 × 1.969 in) and sensing range



The bars in the graph indicate the sensing range for the respective material. However, there is a slight variation in the sensing range depending on the product. Further, if there is a reflective object (conveyor, etc.) in the background of the sensing object, since it affects the sensing, separate it by more than twice the sensing range shown in the left graph.

PRECAUTIONS FOR PROPER USE

Refer to p.1135~ for general precautions.

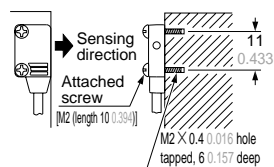


This product is not a safety sensor. Its use is not intended or designed to protect life and prevent body injury or property damage from dangerous parts of machinery. It is a normal object detection sensor.

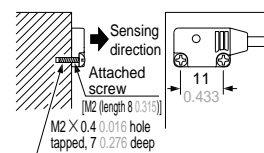
Mounting

- In case of mounting on tapped holes (Unit: mm in)

Side sensing



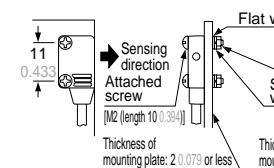
Front sensing



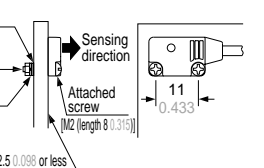
The tightening torque should be 0.2 N·m or less.

- In case of using attached screws and nuts (Unit: mm in)

Side sensing

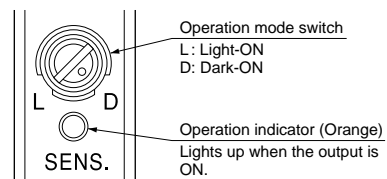


Front sensing



The tightening torque should be 0.2 N·m or less.

Operation mode switch (EX-15 , EX-15E , EX-17 and EX-17E only)



Switch position	Description
	Light-ON mode is set when the switch is turned fully clockwise (L side).
	Dark-ON mode is set when the switch is turned fully counterclockwise (D side).

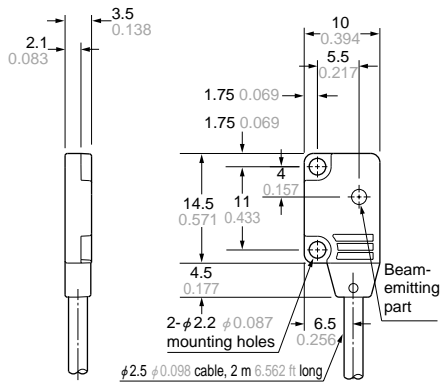
Others

- Do not use during the initial transient time (50ms) (EX-15 , EX-15E , EX-17 , EX-17E : 100 ms) after the power supply is switched on.

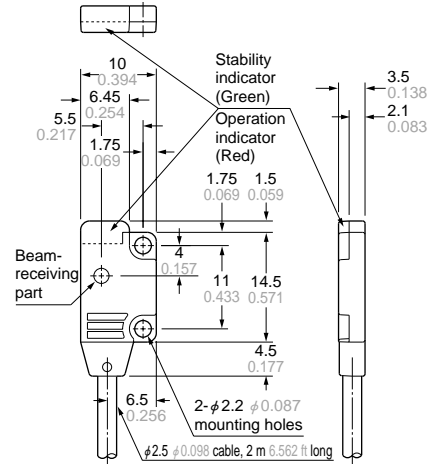
DIMENSIONS (Unit: mm in) The CAD data in the dimensions can be downloaded from the SUNX website: <http://www.sunx.co.jp/>

EX-11A □ EX-11B □ EX-13A □
EX-13B □ EX-19A □ EX-19B □

Sensor



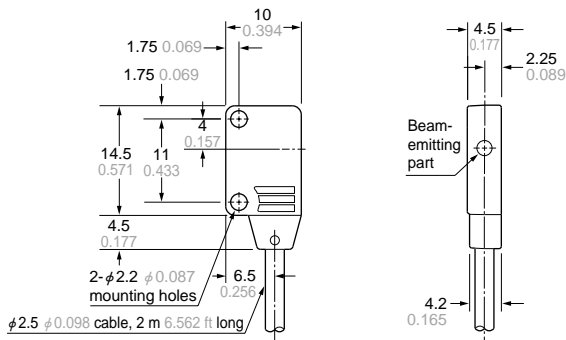
Emitter



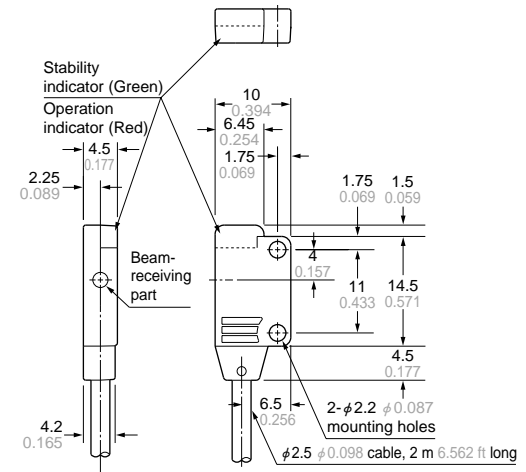
Receiver

EX-11EA □ EX-11EB □
EX-13EA □ EX-13EB □

Sensor



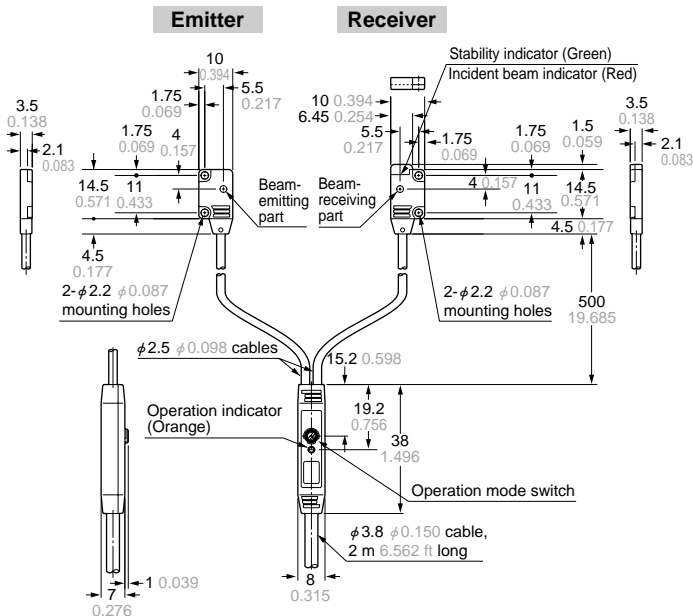
Emitter



Receiver

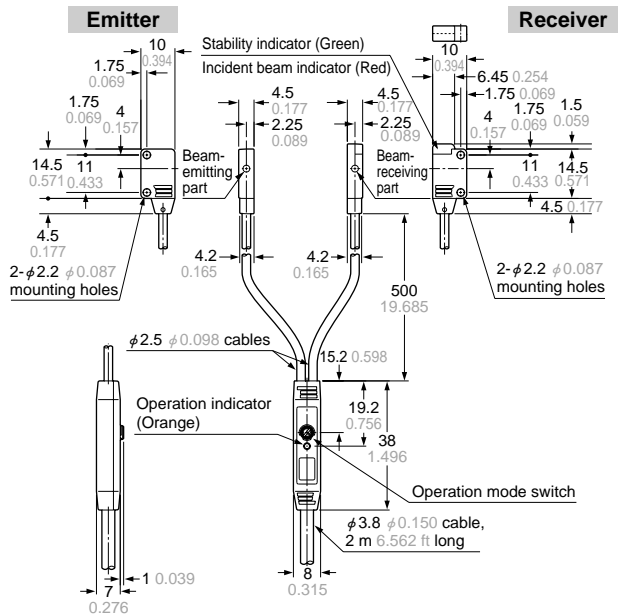
EX-15
EX-17

Sensor



EX-15E
EX-17E

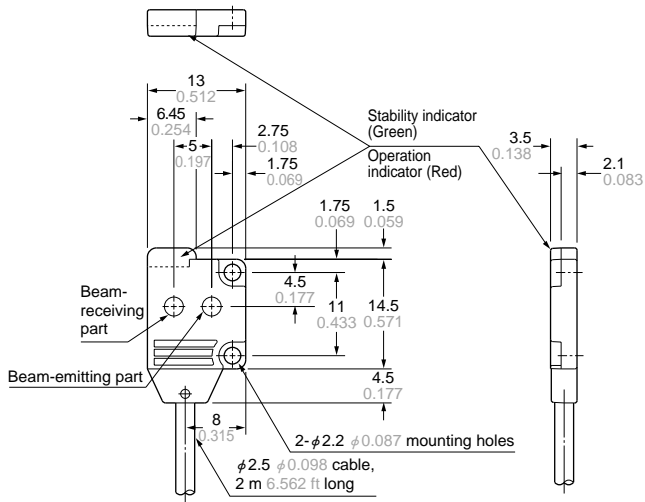
Sensor



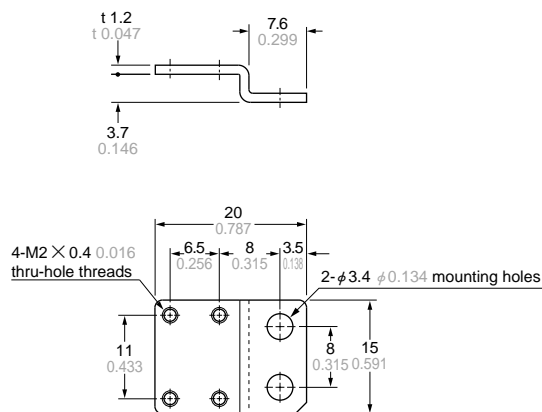
EX-10

DIMENSIONS (Unit: mm in) The CAD data in the dimensions can be downloaded from the SUNX website: <http://www.sunx.co.jp/>

EX-14A **EX-14B** Sensor



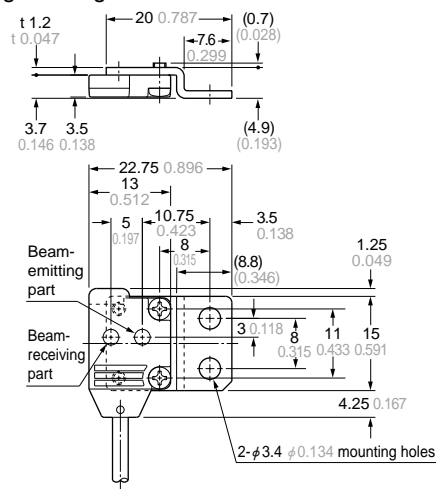
MS-EX10-1 Sensor mounting bracket (Optional)



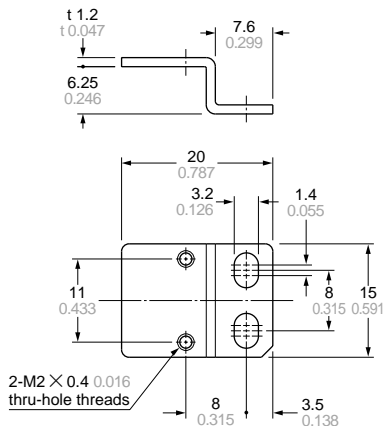
Material: Cold rolled carbon steel (SPCC)
(Uni-chrome plated)
Two M2 (length 4 mm 0.157 in) pan head screws are attached.

Assembly dimensions

Mounting drawing with EX-14



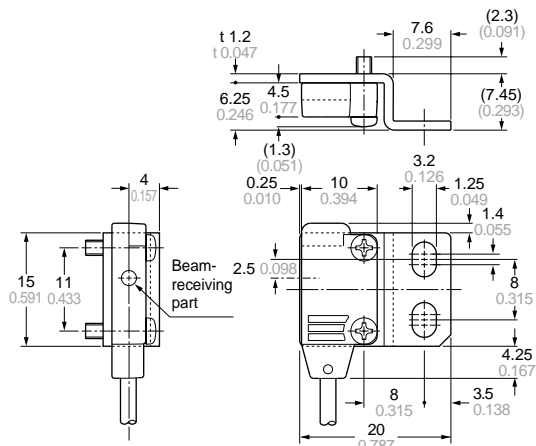
MS-EX10-2 Sensor mounting bracket (Optional)



Material: Cold rolled carbon steel (SPCC)
(Uni-chrome plated)
Two M2 (length 8 mm 0.315 in) pan head screws are attached.

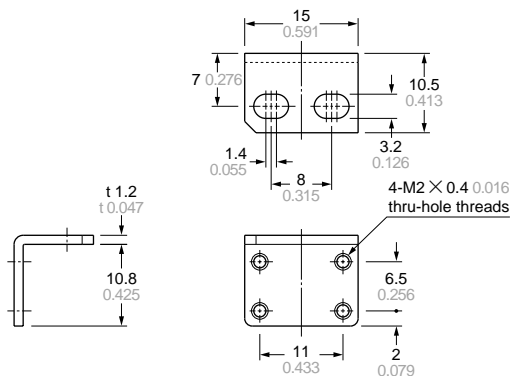
Assembly dimensions

Mounting drawing with EX-11E and EX-13E



DIMENSIONS (Unit: mm in) The CAD data in the dimensions can be downloaded from the SUNX website: <http://www.sunx.co.jp/>

MS-EX10-3 Sensor mounting bracket (Optional)

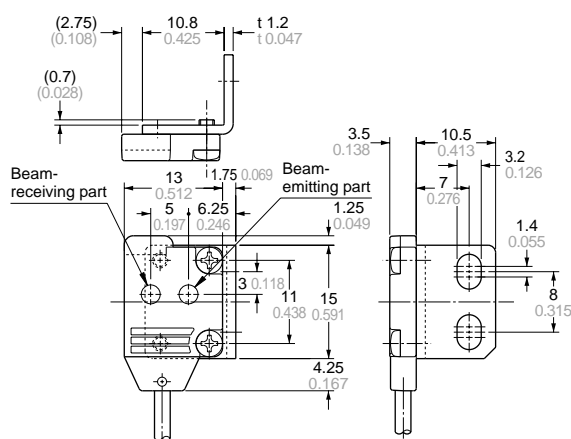


Material: Cold rolled carbon steel (SPCC)
(Uni-chrome plated)

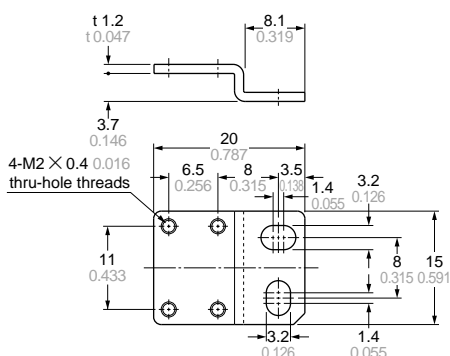
Two M2 (length 4 mm 0.157 in) pan head screws, and two M2 (length 8 mm 0.315 in) pan head screws are attached.

Assembly dimensions

Mounting drawing with EX-14□



MS-EX10-11 Sensor mounting bracket (Optional)

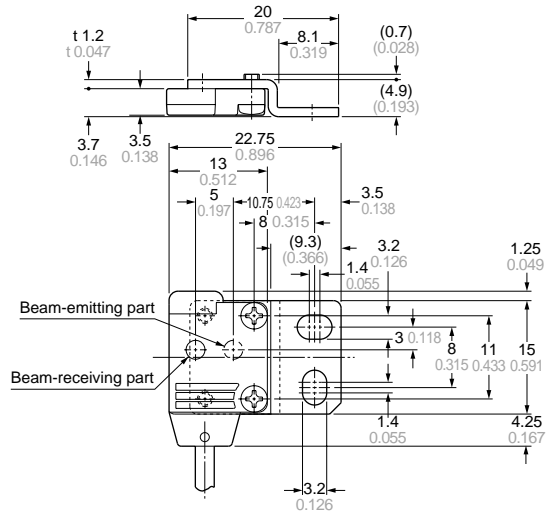


Material: Stainless steel (SUS304)

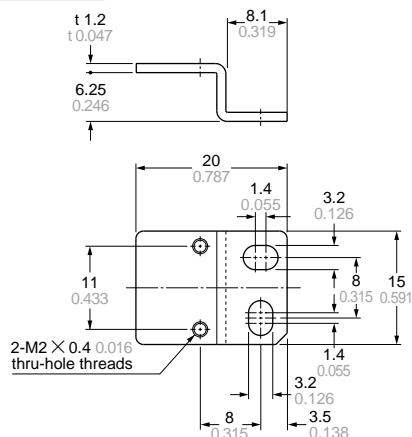
Two M2 (length 4 mm 0.157 in) pan head screws [stainless steel (SUS304)] are attached.

Assembly dimensions

Mounting drawing with EX-14□



MS-EX10-12 Sensor mounting bracket (Optional)

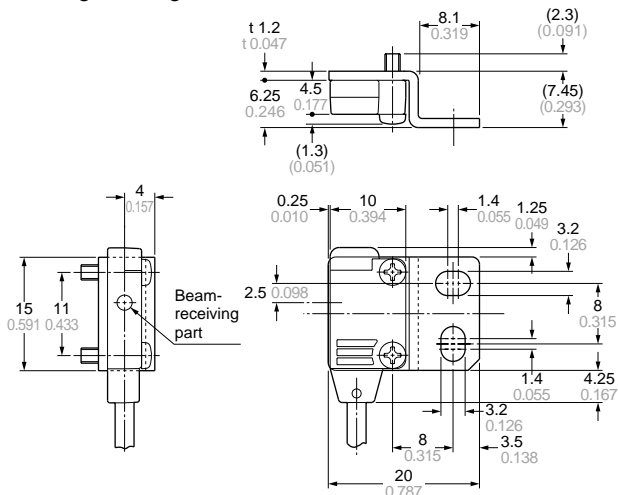


Material: Stainless steel (SUS304)

Two M2 (length 8 mm 0.315 in) pan head screws [stainless steel (SUS304)] are attached.

Assembly dimensions

Mounting drawing with EX-11E□ and EX-13E□



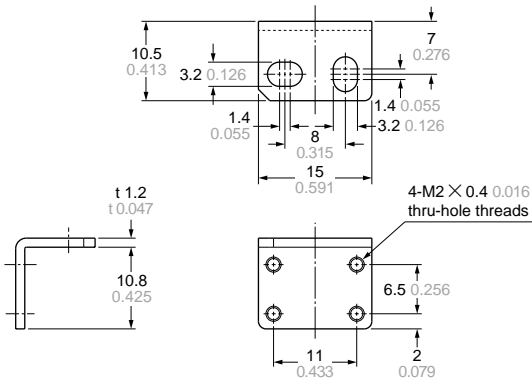
EX-10

DIMENSIONS (Unit: mm in) The CAD data in the dimensions can be downloaded from the SUNX website: <http://www.sunx.co.jp/>

MS-EX10-13 Sensor mounting bracket (Optional)

Assembly dimensions

Mounting drawing with EX-14□



Material: Stainless steel (SUS304)

Two M2 (length 4 mm 0.157 in) pan head screws [stainless steel (SUS304)] and two M2 (length 8 mm 0.315 in) pan head screws [stainless steel (SUS304)] are attached.

